



THULE
SWEDEN

Thule XT Kit 3021

> Instructions

DACIA Dokker, 4-dr Van, 12-

FIAT Doblo, 3-dr Van, 00-03, 04-05, 06-09

FIAT Doblo, 4-dr Van, 00-03, 04-05, 06-09

FIAT Doblo, 5-dr Van, 00-03, 04-05, 06-09

FIAT Doblo Maxi, 4-dr Van, 08-09

FORD Tourneo Connect, 5-dr Bus, 03-13

FORD Transit Connect, 4-dr Van, 03-13

MERCEDES Citan, 4-dr Van, 12-

NISSAN Kubistar, 5-dr Van, 97-09

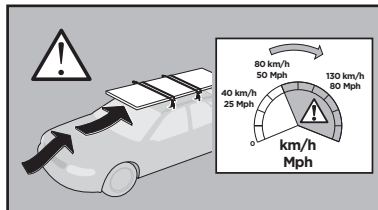
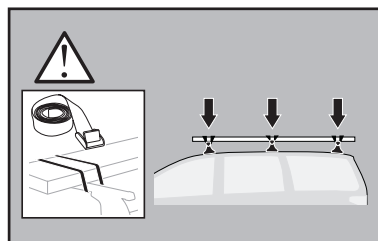
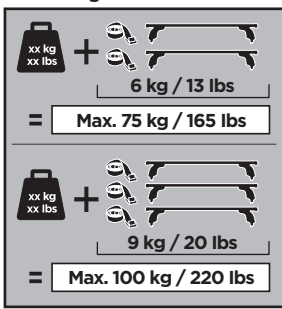
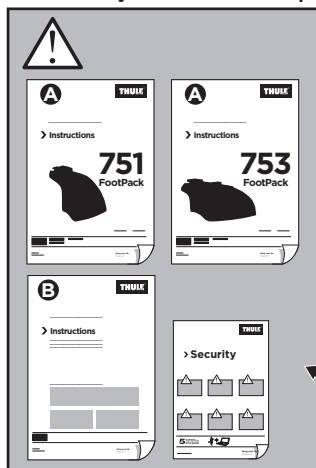
RENAULT Kangoo, 5-dr Van, 97-07, 08-

RENAULT Kangoo Maxi, 5- dr Van, 10-

VOLKSWAGEN Caddy, 4-dr Van, 21-

VOLKSWAGEN Caddy Maxi, 5-dr Van, 21-

This kit is only for vehicles with fixpoint mounting.

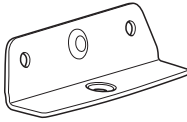


ISO 11154-E

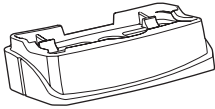
183021

C.2021-01-26
5561076001

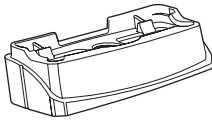
Bring your life
thule.com



◀ 01 x4



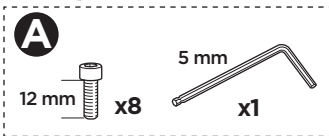
◀ 26 x2



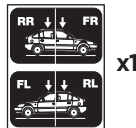
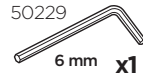
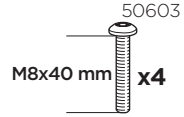
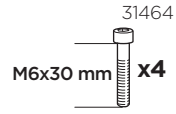
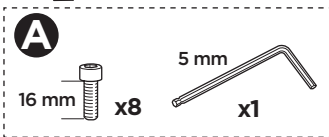
◀ 27 x2



751
FootPack



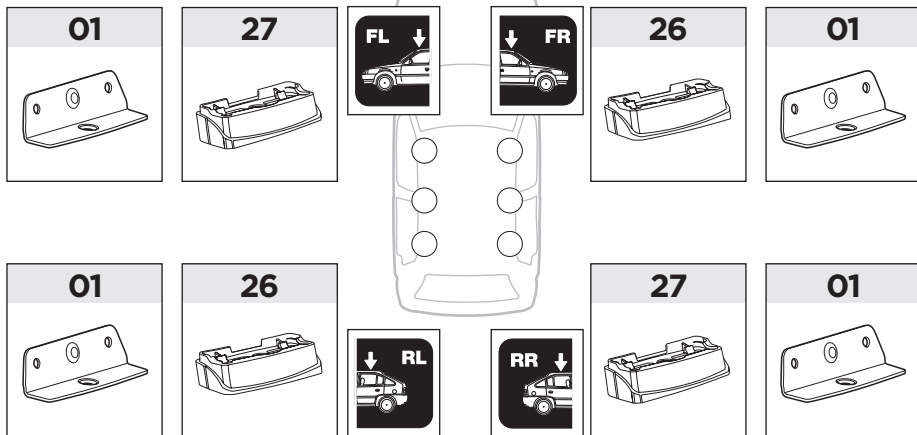
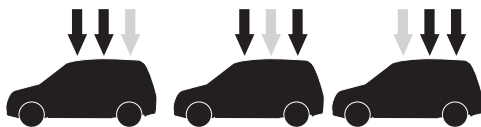
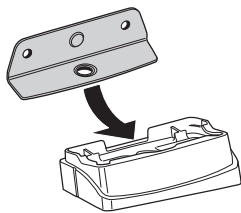
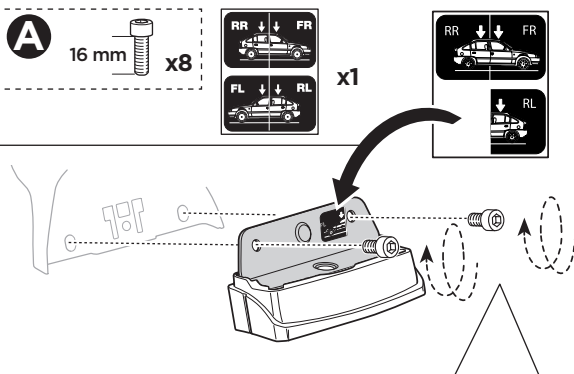
753
FootPack



x1

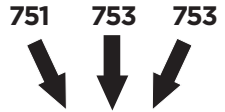


x1

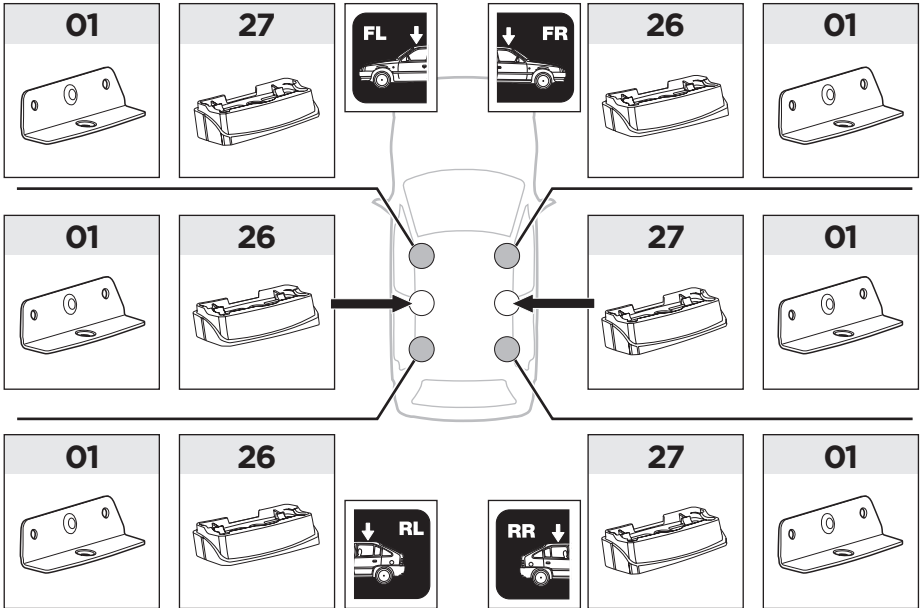
1**753**
FootPack**A****B**

EN	Only a few turns	ET	Ainult mõni pööre	RO	Doar câteva rotiri
DE	Nur wenige Umdrehungen	LV	Tikai dažī apgriezieni	HU	Csak néhány fordítás
FR	Quelques tours uniquement	LT	Tik keli pasukimai	EL	Μόνο λίγες περιστροφές
NL	Slechts enkele slagen	PL	Wystarczy kilka obrotów	TR	Yalnızca birkaç tur
IT	Solo qualche giro	RU	Только несколько оборотов		بعض دورات فقط
ES	Sólo algunas vueltas	UK	Лише декілька обертів		רק מספר סיבובים
PT	Noções básicas	BG	Само няколко завъртания	ZH	仅几圈
SV	Endast några varv	CS	Pouze několik otáček	JA	2～3回転のみ
DK	Kun nogle få omgange	SK	Len niekoľko otáčok	KO	몇 번만 돌리면 됨
NE	Bare noen få omdreinger	SL	Le nekaj obratov	TH	เพียงสองสามรอบ
FI	Vain muutama kierros	HR/BIH	Samo nekoliko okreta		

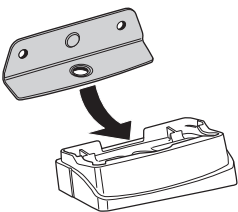
1



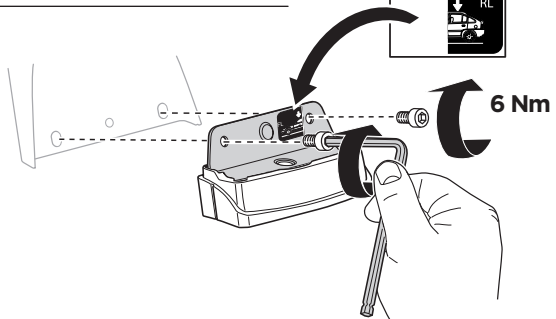
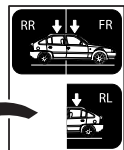
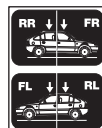
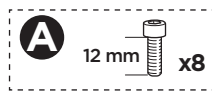
RENAULT Kangoo Maxi



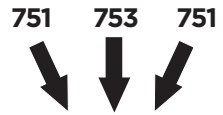
A



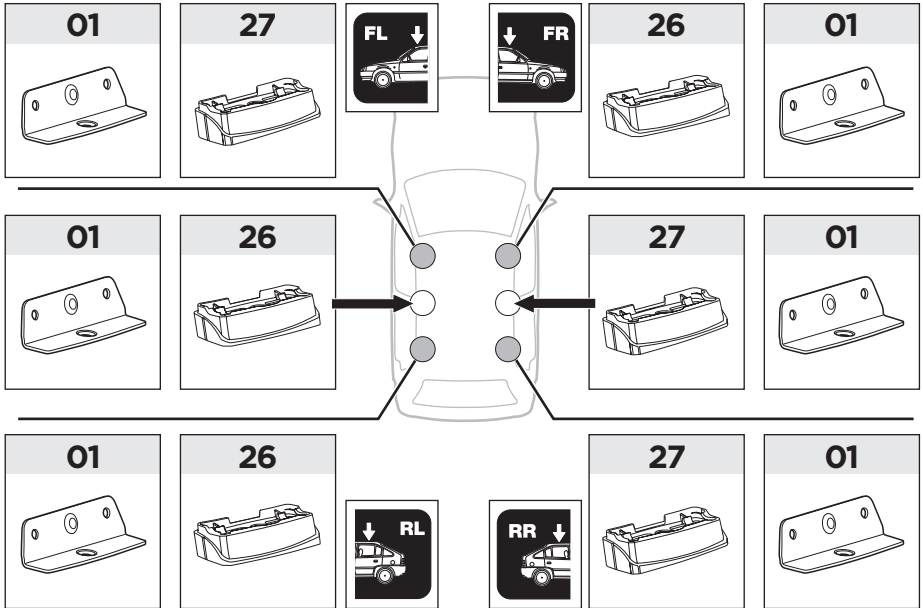
B



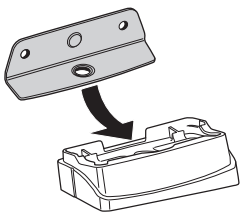
1



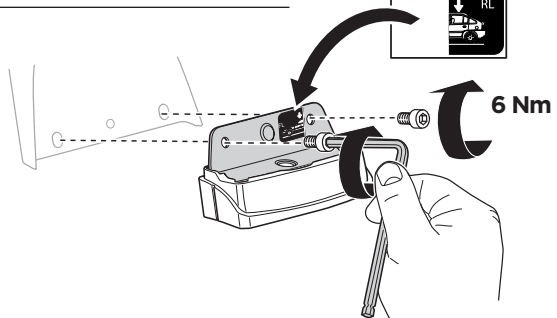
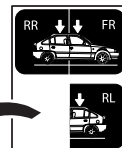
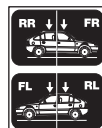
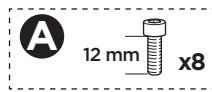
DACIA Dokker



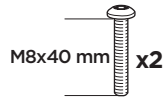
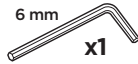
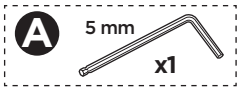
A



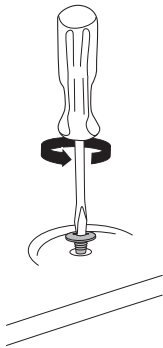
B



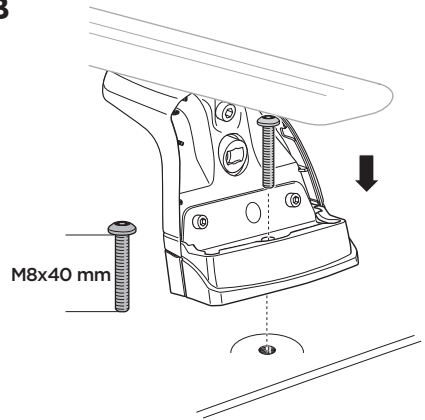
2



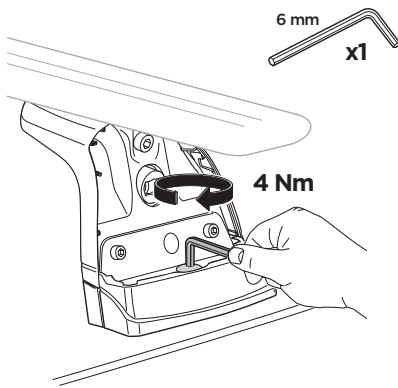
A DACIA Dokker
RENAULT Kangoo Maxi



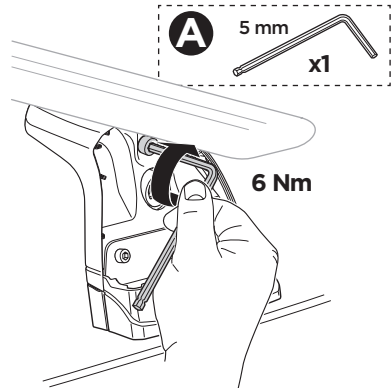
B



C

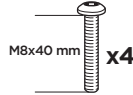
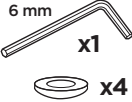
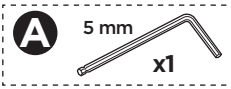
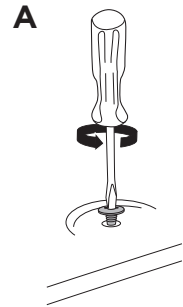
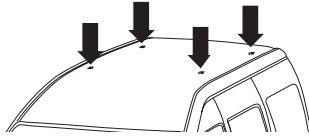


D

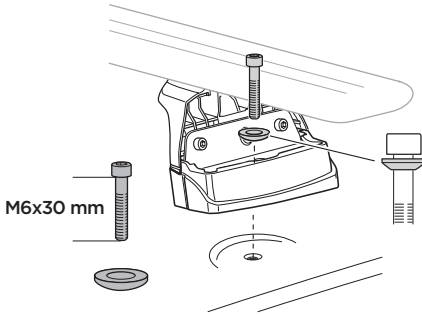


2

753
FootPack

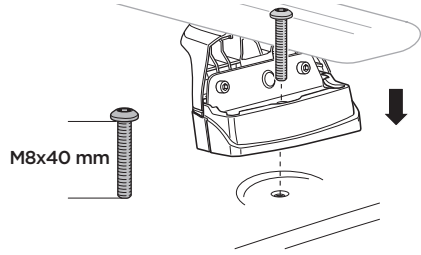


B FIAT Doblo,
FIAT Doblo Maxi

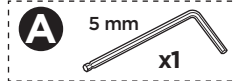


DACIA Dokker
FORD Tourneo Connect
FORD Transit Connect
MERCEDES Citan
NISSAN Kubistar

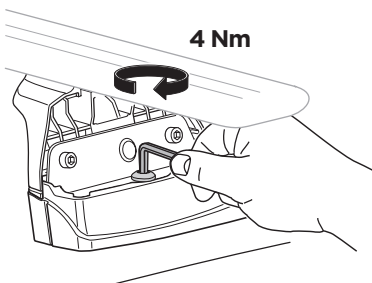
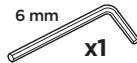
RENAULT Kangoo
RENAULT Kangoo Maxi
VOLKSWAGEN Caddy
VOLKSWAGEN Caddy Maxi



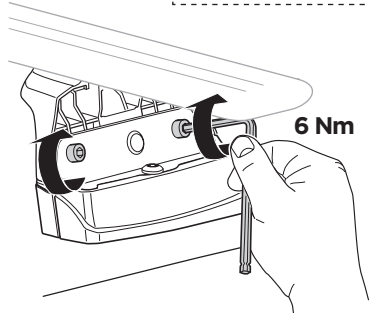
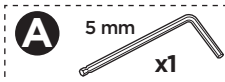
C FIAT



DACIA
FORD
MERCEDES
NISSAN
RENAULT
VOLKSWAGEN



D



WW ▶
NA ▶



Thule Sweden AB, Box 69, 330 33 Hillerstorp, SWEDEN
Thule Inc., 42 Silvermine Road, Seymour, Connecticut 06483, USA



info@thule.com
Phone: 800-238-2388



www.thule.com