

1

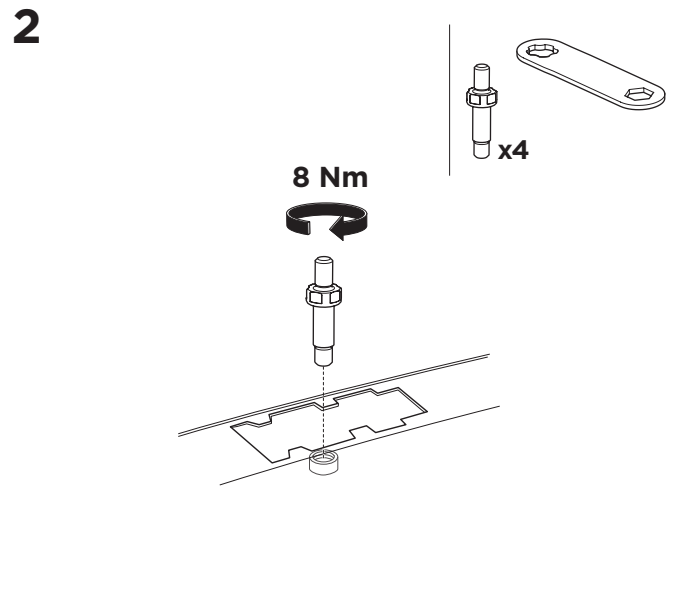
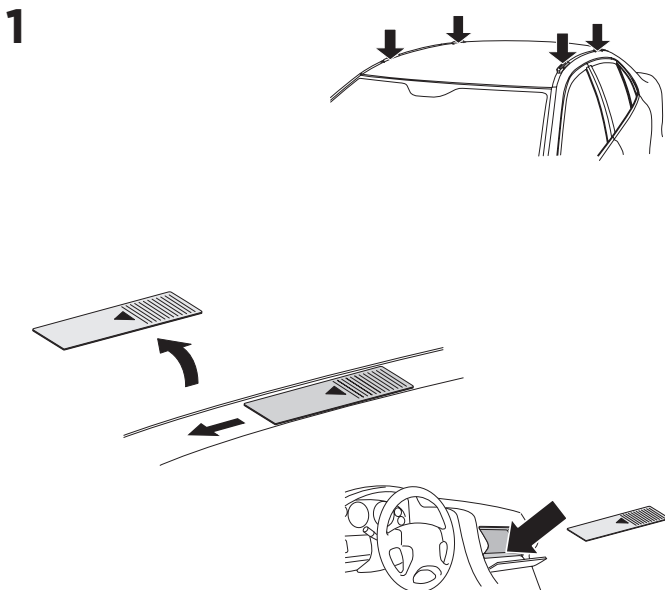
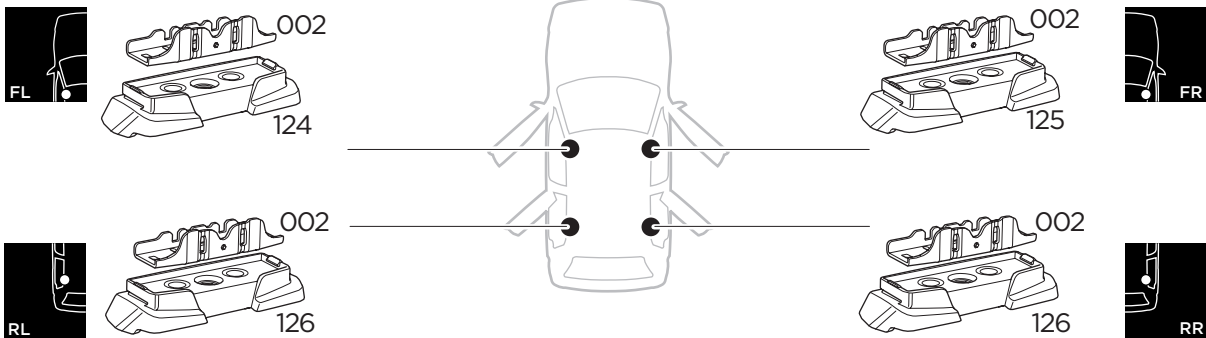
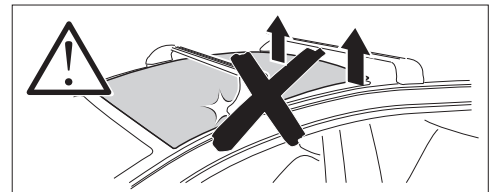
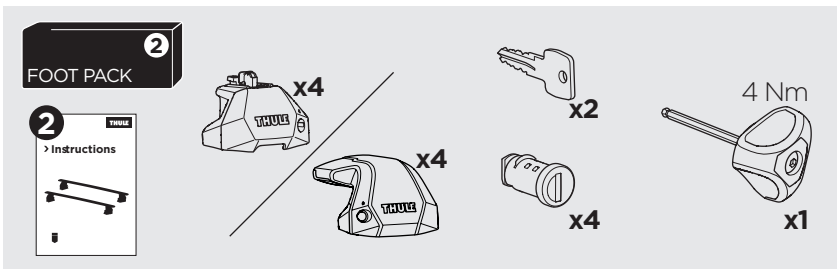
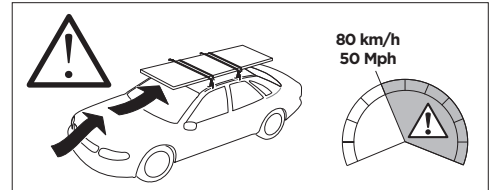
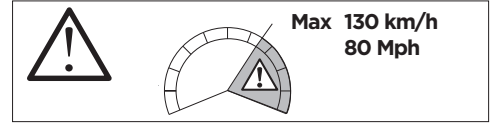
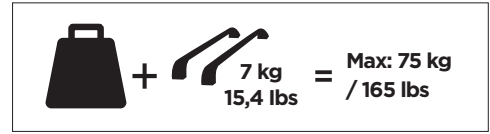
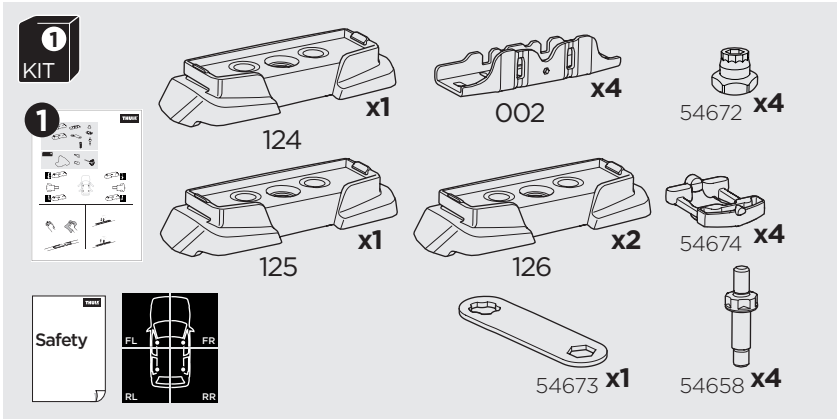
Kit 187060

HYUNDAI i30, 5-dr Hatchback, 17-
 HYUNDAI i30 Fastback, 5-dr Hatchback, 17-
 KIA Ceed, 5-dr Hatchback, 19-
 KIA ProCeed, 5-dr Estate, 19-

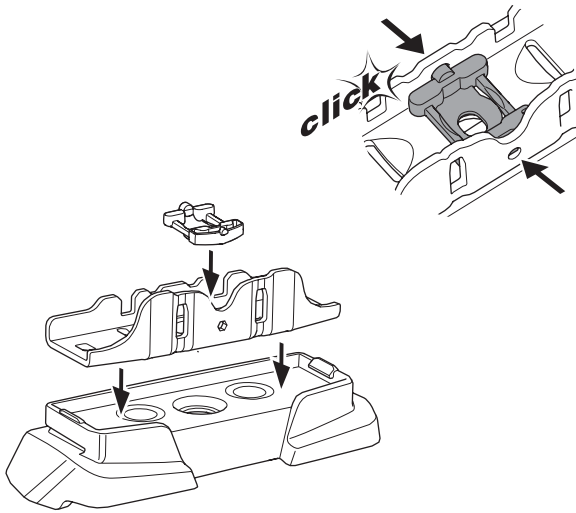


ISO 11154-E

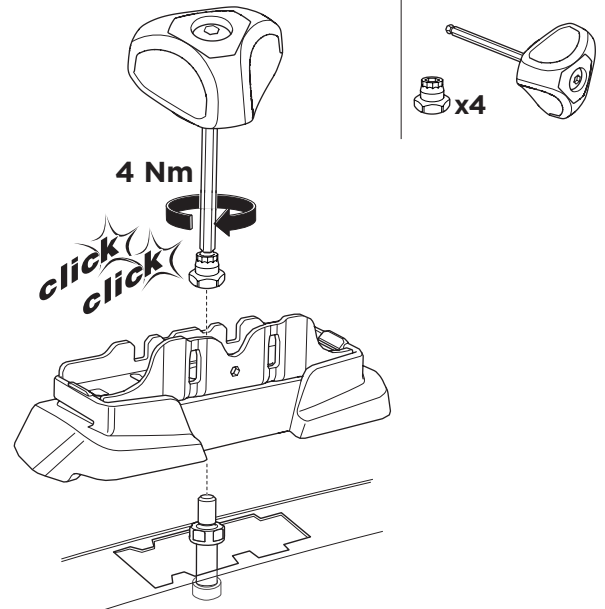
This kit is only for vehicles with fixpoint mounting.



3



4



5

