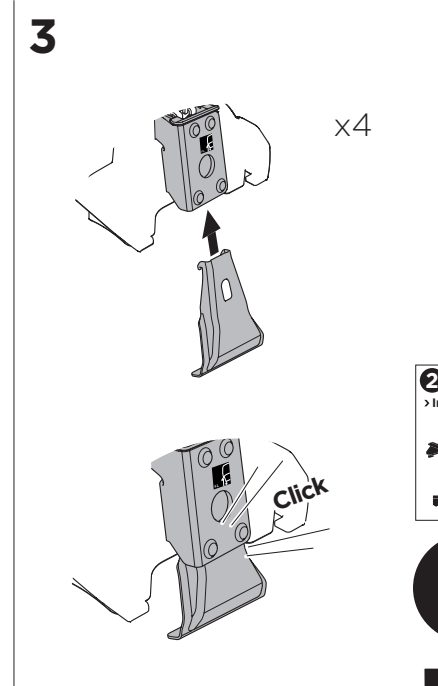
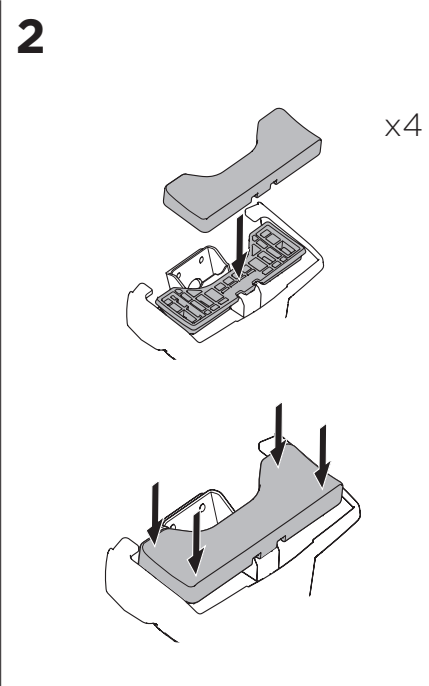
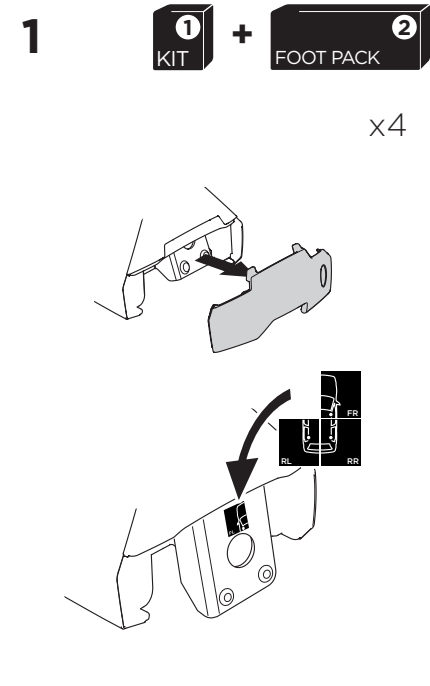
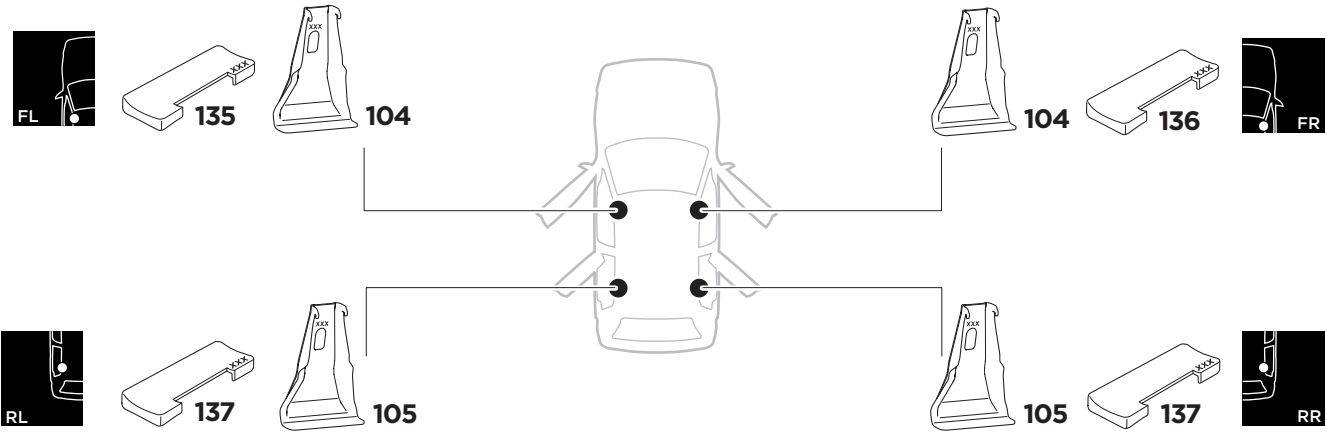
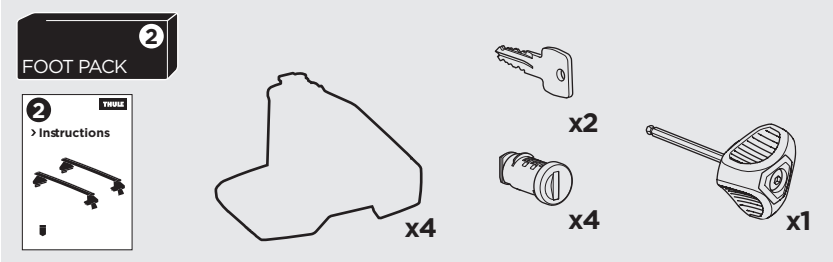
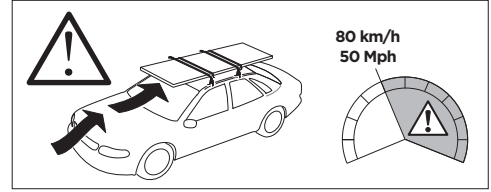
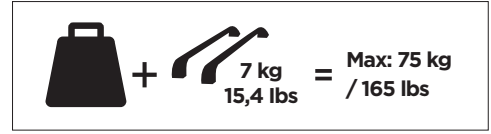
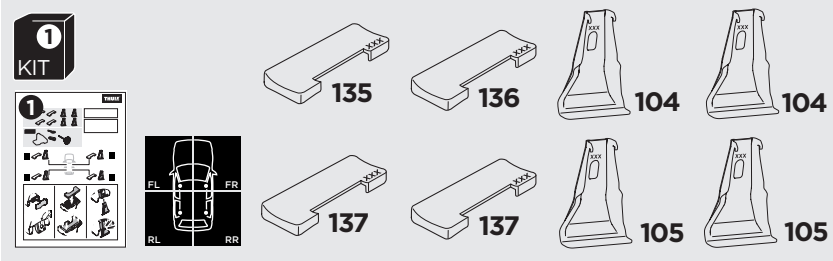


1

Kit 5025

FORD S-Max, 5-dr MPV, 15-

ISO 11154-E





THULE WingBar Evo	THULE WingBar Edge	THULE WingBar	THULE SquareBar	Evo X (scale)	Edge X (scale)
FORD S-Max, 5-dr MPV, 15-				54	G

THULE ProBar	THULE SlideBar	X (mm/inch)		
FORD S-Max, 5-dr MPV, 15-		1191 mm / 46 7/8"		



THULE WingBar Evo	THULE WingBar Edge	THULE WingBar	THULE SquareBar	Evo Y (scale)	Edge Y (scale)
FORD S-Max, 5-dr MPV, 15-				51	M

THULE ProBar	THULE SlideBar	Y (mm/inch)		
FORD S-Max, 5-dr MPV, 15-		1161 mm / 45 3/4"		

	W (mm/inch)	Z (mm/inch)
FORD S-Max, 5-dr MPV, 15-	780 mm / 30 3/4"	300 mm / 11 3/4"

